



Conveyor Toaster 2 Slice

“Anvil’s Conveyor Toaster is tough, robust and ideally suited to produce perfect toast consistently. Suitable for all types of bread or buns. Simply plug in and start toasting.”

Model: CTK0001

APPLICATION

- Ideal for breakfast buffets, coffee shops, take aways and canteens
- This unit will toast a wide variety of bread products

CONSTRUCTION

- Front or rear discharge chutes provided depending on buffet layout
- 85mm usable height above conveyor
- 250mm wide Stainless Steel conveyor belt
- 100mm high adjustable legs

HEATING

- Powerful top and bottom elements designed for even toasting
- Cooling fan to ensure outside panels remain “cool to touch”
- Adjustable belt speed to fully control appearance of toasted product
- Bun control for toasting products on one side only
- Standby function using 25% power for slack periods

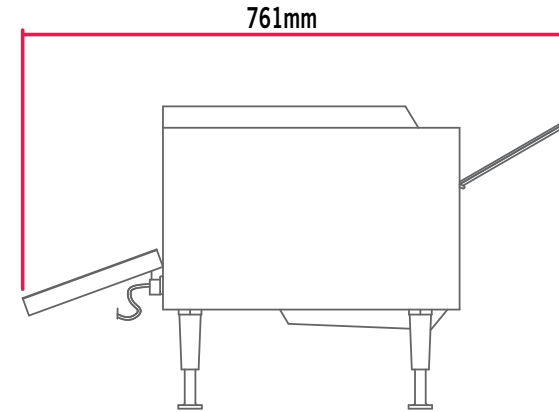
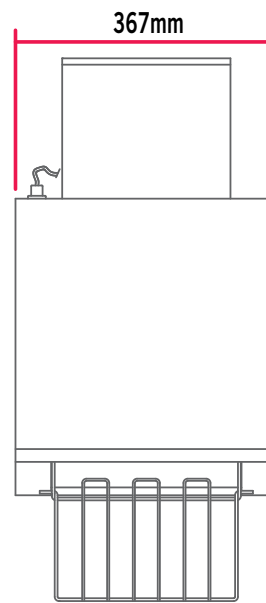
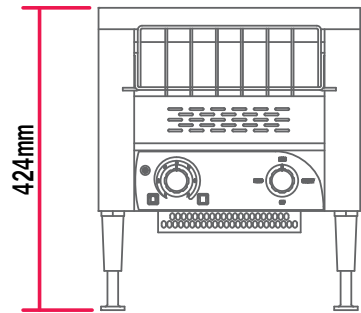


 ANVIL

AXIS



ALL ANVIL EQUIPMENT COMES WITH A ONE
YEAR WARRANTY ON COMPONENTS AND
DEFECTIVE WORKMANSHIP.
www.anvilworld.com



DESCRIPTION

MODEL
POWER RATING (230V/50Hz)
DIMENSIONS (mm) (W x D x H)
BOX DIMNS (mm) (W x D x H)
PACKED WEIGHT (kg)

- Unit available in 120V/60Hz configuration

CONVEYOR TOASTER 2 SLICE

CTK0001
2.99kW
367 x 761 x 424
525 x 395 x 440
17.5

Model: CTK0001

NOTE: When viewing the appliance from the front in its usual operating position, the width (W) of the product is the total distance from left to right; the depth (D) of the product is the total distance from the front to the back; the height (H) is the total distance from the bottom of the product to the top.

 ANVIL

AXIS

Note: Output performance figures quoted are dependant on various factors

Anvil reserves the right, without notice, to make changes and revisions to product specifications, materials and design, which in our opinion, will provide better performance, durability and efficiency.