



## Vertical Bun Toaster

*“The Anvil Vertical Toaster is designed for fast and efficiently contact toasting buns with independently adjustable thicknesses for heel and crown. ”*

 ANVIL

**APEX**

## Model: VTA0001

### APPLICATION

- Ideal for fast food, franchises, etc.

### CONSTRUCTION

- All Stainless steel construction
- Heavy duty S/S wire conveyor belt system
- Twin feed system with individually adjustable thickness setting, allows toasting of heels and crowns simultaneously
- 6 position thickness settings.
- Heavy duty motor ( same as 8 bird rotisserie)
- Precision cartridge bearing conveyor shafts for smooth operation.
- Top feed, easy loading
- Bun exit chute reversible for front or rear access
- Supplied with Teflon release sheet that fits over platen element

### HEATING

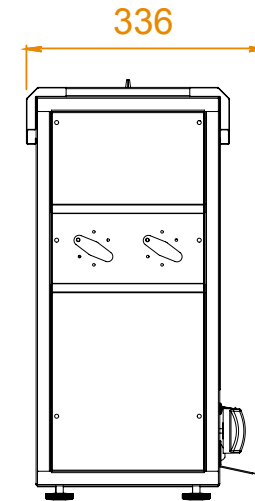
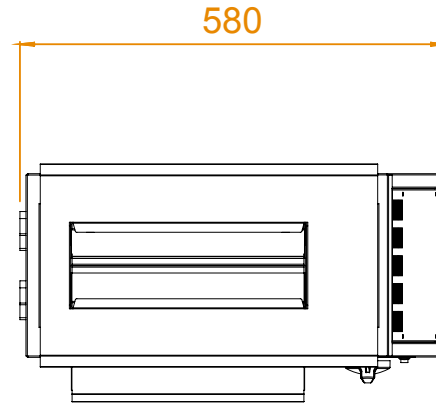
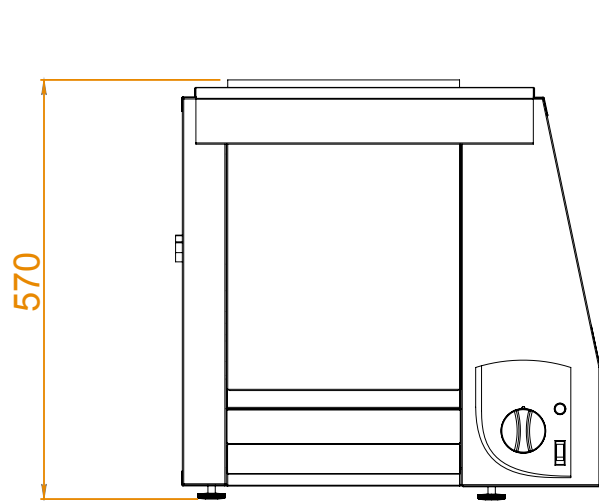
- Variable heating control from 50° - 300°C
- Energy efficient aluminium Heating Platen 2000W

### SAFETY

- Double wall top cover with air gap keeps contact surface safe for operator
- Safety cut out switch beneath top cover



ALL ANVIL EQUIPMENT COMES WITH A ONE YEAR WARRANTY ON COMPONENTS AND DEFECTIVE WORKMANSHIP.  
[www.anvilworld.com](http://www.anvilworld.com)



## DESCRIPTION

MODEL  
 POWER RATING (230V/50Hz)  
 DIMENSIONS (mm) (W x D x H)  
 BOX DIMNS (mm) (W x D x H)  
 PACKED WEIGHT (kg)  
 COMPLIES WITH SPEC

- Unit not available in 120V/60Hz configuration

## VERTICAL TOASTER

VTA0001  
 2000W  
 580 x 336 x 570  
 645 x 350 x 620  
 28  
 SABS IEC 60335

# Model: VTA0001

NOTE: When viewing the appliance from the front in it's usual operating position, the width (W) of the product is the total distance from left to right; the depth (D) of the product is the total distance from the front to the back; the height (H) is the total distance from the bottom of the product to the top.



# APEX

Note: Output performance figures quoted are dependant on various factors

Anvil reserves the right, without notice, to make changes and revisions to product specifications, materials and design, which in our opinion, will provide better performance, durability and efficiency.