

SINGLE DECK OVEN 2 TRAYS PER DECK

MANUFACTURING
SINCE 1966



Model: DOA5002



FEATURES

- Robust construction with Stainless Steel facia panel and door
- Max temperature 300°C
- Unique burner design for even temperature distribution
- Glass viewing window
- Top and bottom burners thermostatically controlled
- Interior light
- Includes timer
- Fits 8 Standard size pizzas 300mm
- Fully automatic ignition system

NOTE:

- Heavy duty gas products to be connected by approved gas installer

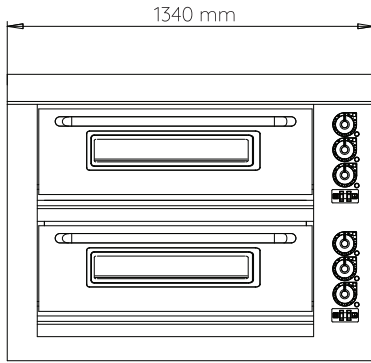


ALL ANVIL EQUIPMENT COMES WITH A TWO YEAR WARRANTY ON COMPONENTS AND DEFECTIVE WORKMANSHIP.

www.anvilworld.com



Model: DOA5002

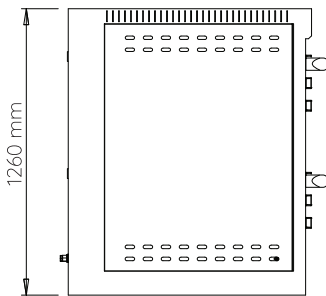


SPECIFICATIONS

OUTPUT	72 000 BTU
POWER	0.4kW
VOLTAGE	230V- 50Hz
PACKAGING (W x D x H)	1460 x 1040 x 1510 (mm)
UNIT (W x D x H)	1340 x 900 x 1260 (mm)
CHAMBER DIMENSIONS	860 x 640 x 200 (mm) (Each)
NET WEIGHT	170kg
GROSS WEIGHT	265kg
SHIPPING VOLUME	2.29m ³
CAPACITY	4 Trays - 600 x 400 (mm)
REGULATOR	No

AVAILABLE IN

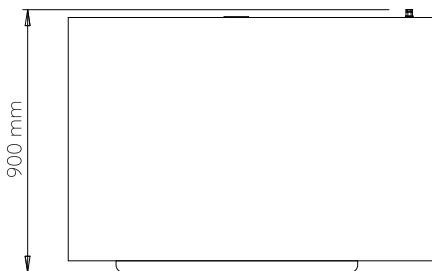
LPG | Ngas



OPTIONAL EXTRAS

TRAYS

CODE	DESCRIPTION
DOA0011	Ceramic Plate - 600 x 400mm



NOTE

- When viewing the appliance from the front in its usual operating position, the width (W) of the product is the total distance from left to right; the depth (D) of the product is the total distance from the front to the back; the height (H) is the total distance from the bottom of the product to the top. Pictures may vary from actual product.

DISCLAIMER

- Output performance figures quoted are dependant on various factors. Anvil reserves the right, without notice, to make changes and revisions to product specifications, materials and design, when we believe it will provide better performance, durability, and efficiency. Unit measurements may vary depending on point of reference.



ALL ANVIL EQUIPMENT COMES WITH A TWO YEAR WARRANTY ON COMPONENTS AND DEFECTIVE WORKMANSHIP.

www.anvilworld.com