

PIE WARMER 900mm

MANUFACTURING
SINCE 1966



Model: PWK0003



FEATURES

- This attractive unit with illuminated display and superb product visibility offers excellent point-of-sale value
- Convenient front and rear sliding doors provide quick, easy access
- Humidity pan prevents drying out
- Front mounted temperature indicating gauge for monitoring internal temperature
- Suitable for bakeries, take-aways and convenience stores
- Shelves can be adjusted and sloped for display purposes
- Thermostatically controlled heater, temp range 50°C - 90°C



ALL ANVIL EQUIPMENT COMES WITH A TWO YEAR WARRANTY ON COMPONENTS AND DEFECTIVE WORKMANSHIP.

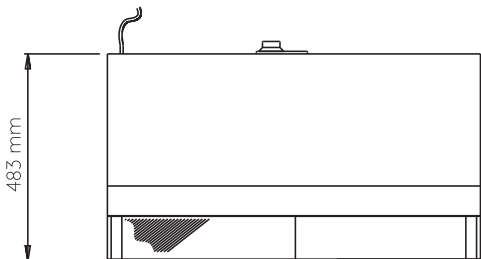
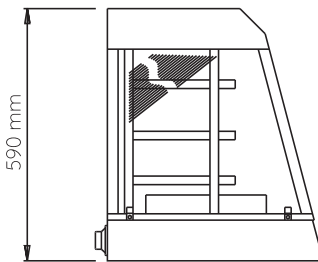
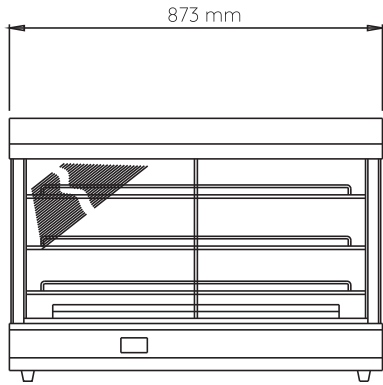
www.anvilworld.com



Model: PWK0003

SPECIFICATIONS

POWER	1.84kW
VOLTAGE	230V - 50Hz
PACKAGING (W x D x H)	990 x 600 x 690 (mm)
UNIT (W x D x H)	873 x 483 x 590 (mm)
NET WEIGHT	50kg
GROSS WEIGHT	59kg
SHIPPING VOLUME	0.41m ³
CAPACITY	Approx 45 standard size pies



NOTE

- When viewing the appliance from the front in its usual operating position, the width (W) of the product is the total distance from left to right; the depth (D) of the product is the total distance from the front to the back; the height (H) is the total distance from the bottom of the product to the top. Pictures may vary from actual product.

DISCLAIMER

- Output performance figures quoted are dependant on various factors. Anvil reserves the right, without notice, to make changes and revisions to product specifications, materials and design, when we believe it will provide better performance, durability, and efficiency. Unit measurements may vary depending on point of reference.



ALL ANVIL EQUIPMENT COMES WITH A TWO YEAR WARRANTY ON COMPONENTS AND DEFECTIVE WORKMANSHIP.

www.anvilworld.com